

# Technical data sheet



## Product features

### Automatic tilting pan gas 80 l with stainless steel bottom

<b>Model</b>	<b>SAP Code</b>	00007398
--------------	-----------------	----------



- Bottom material: Stainless steel - suitable for cooking, easy maintenance
- Bottom thickness: 12.00
- Basin volume [l]: 80
- Usable volume [l]: 80
- Ignition: Piezo + Eternal Flame
- Tilting: Motorised
- Filling: Mechanical cock
- Type of pan: Tilting
- Basin shape: Practically shaped bathtub spout to minimize spillage
- Protection of controls: IPX4
- Basin dimensions [mm x mm x mm]: 721 x 564 x 225

<b>SAP Code</b>	00007398	<b>Power gas [kW]</b>	22.000
<b>Net Width [mm]</b>	800	<b>Type of gas</b>	Natural gas, propane butane
<b>Net Depth [mm]</b>	900	<b>Bottom material</b>	Stainless steel - suitable for cooking, easy maintenance
<b>Net Height [mm]</b>	900	<b>Basin volume [l]</b>	80
<b>Net Weight [kg]</b>	162.00	<b>Usable volume [l]</b>	80
<b>Power electric [kW]</b>	0.120	<b>Tilting</b>	Motorised

# Technical data sheet



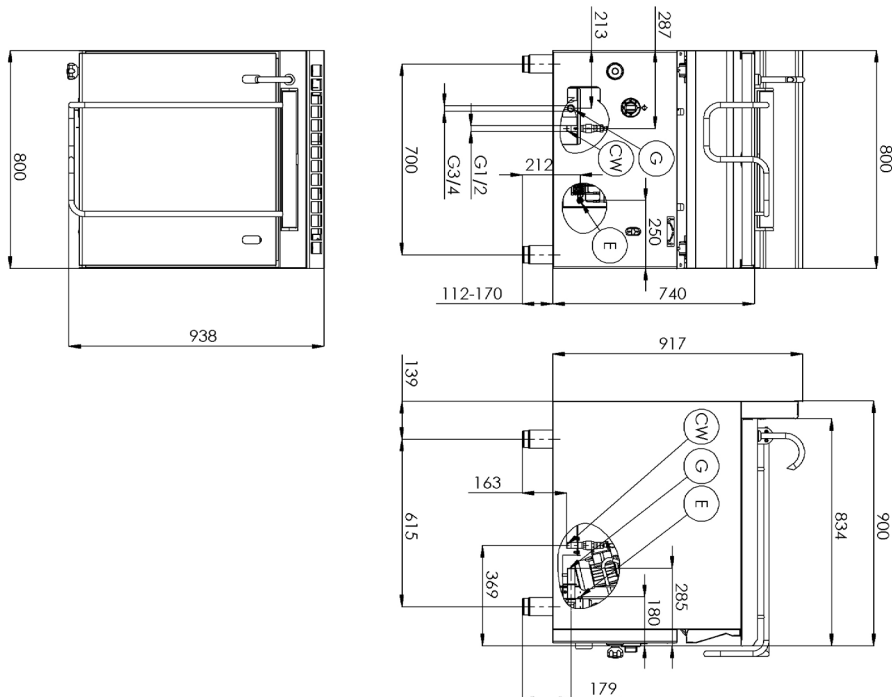
Technical drawing

Automatic tilting pan gas 80 l with stainless steel bottom

Model

SAP Code

00007398



# Technical data sheet



## Technical parameters

### Automatic tilting pan gas 80 l with stainless steel bottom

**Model**

**SAP Code**

00007398

**1. SAP Code:**

00007398

**2. Net Width [mm]:**

800

**3. Net Depth [mm]:**

900

**4. Net Height [mm]:**

900

**5. Net Weight [kg]:**

162.00

**6. Gross Width [mm]:**

840

**7. Gross depth [mm]:**

970

**8. Gross Height [mm]:**

1160

**9. Gross Weight [kg]:**

182.00

**10. Device type:**

Gas unit

**11. Construction type of device:**

Stationary

**12. Power electric [kW]:**

0.120

**13. Power gas [kW]:**

22.000

**14. Ignition:**

Piezo + Eternal Flame

**15. Type of gas:**

Natural gas, propane butane

**16. Protection of controls:**

IPX4

**17. Exterior color of the device:**

Stainless steel

**18. Material:**

AISI 304 top plate, AISI 430 cladding

**19. Worktop material:**

AISI 304

**20. Basin volume [l]:**

80

**21. Basin dimensions [mm x mm x mm]:**

721 x 564 x 225

**22. Volume capacity of the container [l]:**

80.00

**23. Maximum device temperature [°C]:**

300

**24. Minimum device temperature [°C]:**

50

**25. Safety thermocouple:**

Yes

**26. Adjustable feet:**

Yes

**27. Tilting:**

Motorised

**28. Bottom thickness:**

12.00

# Technical data sheet



Technical parameters

## Automatic tilting pan gas 80 l with stainless steel bottom

Model

SAP Code

00007398

### 29. Bottom material:

Stainless steel - suitable for cooking, easy maintenance

### 30. Type of pan:

Tilting

### 31. Usable volume [l]:

80

### 32. Filling:

Mechanical cock

### 33. Basin shape:

Practically shaped bathtub spout to minimize spillage

### 34. Water filling type:

Cold

### 35. Connection to a ball valve:

1/2

### 36. Water supply connection:

1/2"